

Rivet tools / tools for blind rivets

RL60-2 Riveting tool

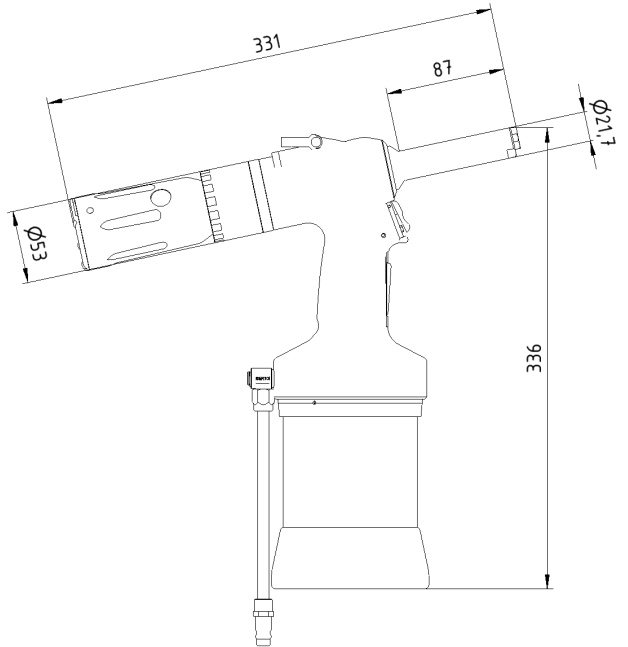
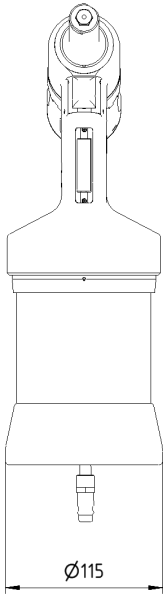
Operating manual



Content

1.	Operating instructions	5
2.	General description	5
3.	Scope of use	5
4.	Occupational health and safety	8
5.	Safety measures	8
6.	Special safety advice	8
7.	Basic tool equipment	9
8.	Commissioning	9
9.	Tool operation	10
10.	Proper use	11
11.	Requirements for compressed air	12
12.	Riveting tool storage	12

13.	Transport Instructions	13
14.	Requirements for operators	13
15.	Tool modifications	13
16.	Inspection plan	13
17.	Inspection and maintenance	14
18.	Troubleshooting	17
19.	Technical parameters	17
20.	Disposal of the riveting tool	17
21.	Warranty	17
22.	Package contents	18
23.	List of Safety Pictograms	18
24.	EC Declaration of conformity	19



1. Operating instructions

Read the operating instructions carefully prior to use. Improper use may cause the tool to work incorrectly. All information and instructions apply to the specified tool and may only be used for the purpose of operating the tool.

All persons that adjust, operate or service the tool have to become familiarized with the operating instructions and have to follow them. In special cases, a training can be organized by the seller.

The professional and safety measures must be followed in order to ensure that the tool works properly.

2. General description

The RL60-2 riveting tool works with the high-speed hydro-pneumatic principle. The tool is designed for precise setting of blind rivets. It is equipped with a vacuum system for holding the rivet in the nosepiece in any position. After riveting the mandrel will be collected in the mandrel collector.

The high-speed pneumatic-hydraulic tool is designed for setting one-sided blind rivets from 4 to 6,4 mm and 6,4 mm structural rivets. The tool is suitable for multi-grip blind rivets and blind rivets with soft materials.

The operating instructions must be read by every person using this tool. Pay attention to the safety regulations.

3. Scope of use

		4	4,8/5	6	6,4	6,4 - Structural Rivets
Material	Aluminium	X	X	X	X	X
	Steel	X	X	X	X	X
	Stainless	x	x	x	X	x

For choosing the correct tooling setup for the assembly of the used rivet type and size, please refer to the separately provided equipment guide of this tool.

4. Occupational health and safety

The following instructions and directives apply to the riveting tool described in these operating instructions and to all user groups.

In addition to the general instructions in this chapter that concerns the entire document and all procedures of using the riveting system, some parts of this document may contain additional safety instructions which then specifically relate to the described matter.

5. Safety measures

Basic safety measures to avoid damages and injuries.

Improper use of the tool may lead to an injury or damage of property. To avoid damages, always adhere to the corresponding safety instructions of the safety measure. Only qualified staff are authorized to perform maintenance and repairs of the tool.

6. Special safety advice

The riveting tool is exclusively designed for setting blind rivets. The Customer bears individual responsibility for each and every change of the riveting tool!

ATTENTION!

- Use the tool only after reading and understanding the operating instructions.
- Do not operate with the tool if you are ill, under the influence of drugs, alcohol.
- Do not use the tool when it is incomplete and when it has visible mechanical defects.
- Never aim the riveting tool at people and do not rivet without material.
- Use the riveting tool only at working temperature ranging from 5°C to 45°C.
- Never get over the maximum limit of input air-pressure of 7 bar
- In case the provided air pressure exceeds the max of 7 bar, use appropriate equipment to reduce it.
- Use only fittings and hoses for an approved operating pressure of 10 bar in pneumatics.
- When adjusting or replacing components, always disconnect the tool from the compressed air supply
- For the used rivet diameter, use the suitable nosepiece (5) accordingly.
- Always use personal protective equipment.
- Tool not in current use must not be connected to the compressed air supply
- Use the tool only for riveting
- Do not use the tool without assembled nosecap (6).
- The riveting tool must not be carried or lifted by the air hose
- Make sure, the suction system is not activated, while disassembling the mandrel collector (2), for emptying.

ATTENTION!

Make sure that the mandrel collector is always attached on the riveting tool when in use, otherwise there is a risk of injury.

NOTE

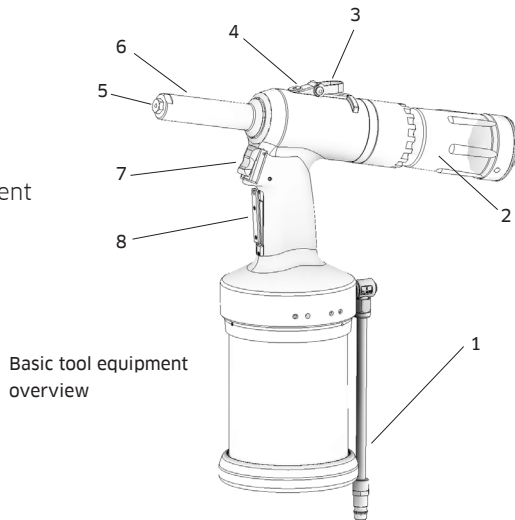
The Manufacturer bears no liability for damages incurred due to incorrect repair or due to using spare parts from other sources.

The warranty is deemed invalid in case of any repairs have been performed on the riveting tool, leading to the damage of the riveting tool or the seals.

7. Basic tool equipment

Overview of RL60-2 basic tool equipment:

1. Air connection
2. Mandrel collector
3. Balancer suspension attachment
4. Screw for oil refill
5. Nosepiece
6. Nosecap
7. Trigger
8. Air suction trigger



8. Commissioning

Check the riveting tool visually before commencing any work

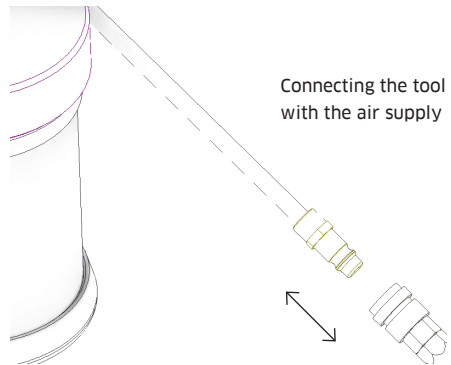
- For visible damages
- For oil leaks

Check the nose cap is tightened to the house head and select the correct nose-piece for the rivet being used

Test of the tool function without rivets prior processing ~20 times
(Tool operation)

9. Tool operation

- After inspection before first use (commissioning)
- Connect the tool to the air supply (6 - 7 bar)
- To avoid damage to the tool, caused by exceeded air pressure, the integrated safety valve will switch to release air. In this case, adjust the air pressure to the correct value
- Check for correct assembly and fit of the quick connectors - no air discharge is audible
- Press and hold the air suction trigger (8)- the riveting tool starts soaking air through the nosepiece.
- Insert the mandrel of the rivet in the nosepiece (5) (the rivet will be held in nosepiece by the air flow).
- Move the tool with rivet to the allocated riveting position.
- Press the trigger (7) - the riveting tool performs the pulling movement

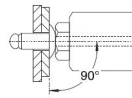


- (pulling and tearing the mandrel)
- Release the trigger (7) after setting the rivet and the pulling unit automatically returns to its initial starting position
- Hold the air suction trigger (8) during the riveting cycle to eject the ripped off mandrel into the mandrel collector (2).
- Make sure, the mandrel is ejected before the next riveting cycle.
- Release the air suction trigger (8), to switch off the air suction flow or continue with the next cycle.

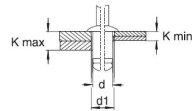
10. Proper use

To ensure that all the corresponding safety measures are observed and that the riveting tool will work properly, the following is required:

- The system has to be used in compliance with the tool's technical data and specifications concerning the use, assembly, connection, environment and work conditions. These conditions are stipulated in the documents related to the order, user information (tags etc.) and in the documentation delivered with the system, which includes the operating instructions, as well as the maintenance and inspection instructions in this manual.
- The users have to act in compliance with local and system-specific conditions and pay corresponding attention to the operating hazards and specifications.
- All measures required for the maintenance of the tool, e.g. transport and storage, as well as the requirements for maintenance and regular inspection must be observed.
- Use only a safety quick coupler for permanent connection to the compressed air sources
- The mandrel collector must always be emptied as soon as it exceeds half load capacity
- Always set the riveting tool at the right angle (90°) to the assembly surface



Perpendicular positioning of the tool to the surface




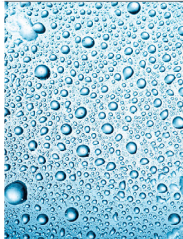

K = clamping thickness

Compressed air supply

- For correct operation of the device, it is necessary to observe the range of inlet air pressure between the minimum and maximum permissible value of 6 - 7 bar. If necessary an appropriate pressure reduction valve has to be used. In case of non-compliance, personal injury or damage to the device may occur.
- The pressure regulator must be equipped with a filter unit for separating dirt and condensate from the air supply. In case the pressure regulator with a filter unit will not be used, it must be ensured that the compressed air cannot contain any dirt and/or condensate.
- The length between the air supply pressure regulator and the tool must not exceed 3m.
- Used air supply hose must be resistant to oil, liquids and operating conditions
- Used air hoses must have a 6 mm minimum inner diameter.
- Achieving the maximum force of the tool depends on compliance of the air inlet pressure

11. Requirements for compressed air

ISO 8573-1

Air quality classes under ISO 8573-1	Solid particles		Water	Oil
				
	Maximum size μm	Maximum concentration mg/m^3	Maximum pressure dew point $^{\circ}\text{C}$	Maximum concentration mg/m^3
2	1	1	-40	0.1

Note: The stated maximum concentrations relate to 1 bar abs., +20°C and 60% relative humidity. The individual concentrations are proportionally higher when the pressure is higher than atmospheric pressure.

12. Riveting tool storage

Before the first use

If you are not going to use the riveting tool any further, place it in the original packaging and store it in a dry and dust free environment.

After long-term storage

After long-term storage (about 3 years), replace the hydraulic oil before use. The hydraulic oil may only be replaced by a trained expert, according to the operating instructions. If required, you can contact the Titgemeyer service center for a professional service.

13. Transport instructions

The tool is delivered completely assembled. It has to be handled as fragile equipment. This product contains hydraulic oil.

14. Requirements for operators

All planning, assemblies, installations, activations, maintenance and repairs may only be performed by trained staff and inspected by technical experts. Training may be provided by the manufacturer by agreement.

The persons responsible for labour safety must ensure the following:

- All works related to safety are only performed by qualified staff.
- The staff must be qualified on the basis of their specialization (training, education, experience) or on the basis of their knowledge of corresponding standards, specifications, accident-prevention regulations and system properties. It is essential that such persons are capable of identifying and avoiding any potential risks in timely manner.

15. Tool modifications

No structural with this tool may not be dangerous for the operator, when the regulations in this manual have been read, understood and followed. The operator must follow the operations described in this document. The maintenance and service work that is not described in these operating instructions may only be performed by trained experts who are trained by TTA.

Risk of injury in case of incorrect manipulation!

Working with this tool may not be dangerous for the operator, when the regulations in this manual have been read, understood and followed. The operator must follow the operations described in this document. The maintenance and service work that is not described in these operating instructions may only be performed by trained experts who are trained by TTA.

16. Inspection plan

Intervals of inspection plans

- Daily inspection
 - Check for oil leaks
 - Check for unexpected air exhaustion
 - Check if the tool works well and performing a correct setting process

- Check correct setting and tightening of riveting mechanism
 - Check if the nosepiece (5) is worn - in case of visible wear replace the nosepiece
 - Check that the mandrel collector (2) is assembled correctly.
 - Stop using the tool immediately when you notice any sign of a fault.
- Weekly inspection/ after 5.000 cycles
 - Check the nosepiece (5) and jaws, clean or exchange the contaminated/destroyed and worn parts.
 - Refill the oil, if necessary
 - Complete inspection made by authorized person (or by producer) once per year/ or after 500.000 cycles
 - Complete check and service of the tool mechanism
 - Inspection and change any worn parts
 - Perform oil change

Do not use any highly active cleaning agents or flammable liquids when cleaning!

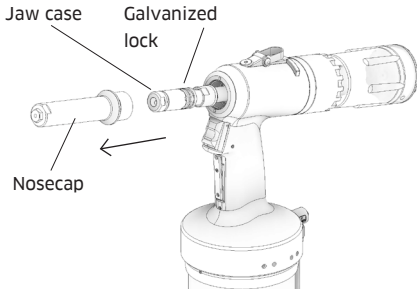
The riveting tool must be cleaned and checked in case of any mechanical defects as for the corresponding type of application. After the riveting tool has been cleaned to be stored for a longer period of time, all external metal parts need to be lightly greased with corrosion inhibitor.

17. Inspection and maintenance

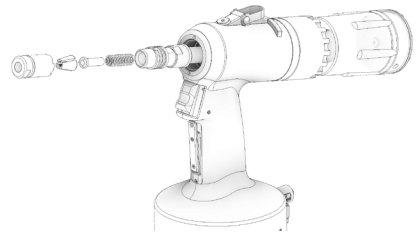
Jaws cleaning or replacement

Jaws need to be cleaned once a day or after 2,000 rivets (depends on the rivet quality). In case of larger amounts of processed rivets, cleaning is performed as needed. The grips are subject to mechanical wear and have to be replaced as soon as they start slipping when the rivet mandrel is held.

- Disconnect the tool from the compressed air supply
- Loosen the front nose cap by wrench no. 19, unscrew and carefully remove it
- Release the galvanized lock by pulling towards the tool and unscrew the clamping head
- Remove the jaws from the clamping head. Clean the head and the jaws, remove any chips in the spring and the spring guiding or replace the parts when worn or damaged
- Lightly grease the new jaws on the outer circumference and insert them (teeth to the axis) in the jaw case. Screw the head back on the adapter. The lock automatically secures the clamping head against release. Tighten only to the last possible tooth of the lock. **Do not use a wrench for tightening!** It could damage the lock
- Carefully screw on the front nose cap and tighten it with wrench no. 19.
- Check the x-dimension value (chapter 18. Setup of the X-dimension)



Disassembly of the nosecap



Disassembly of the jaws

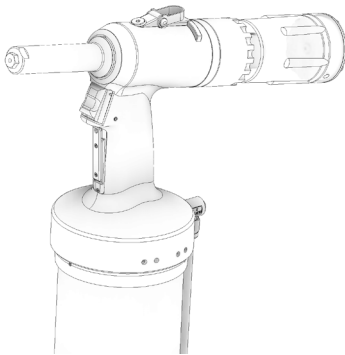
Nosepiece disassembly and assembly

Disconnect the tool from the compressed air

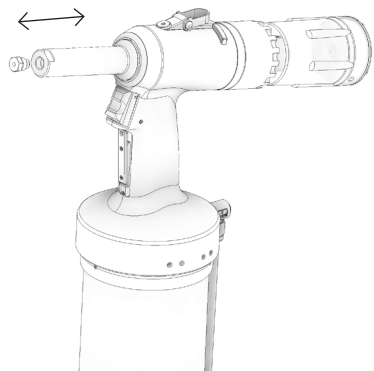
Use wrench no. 19 to hold the tool's nosecap by the flats at the front and loosen the nosepiece using wrench no. 11. Then loosen the entire nosecap using

wrench no. 19. Remove the nosecap and manually unscrew the nosepiece.

Take the selected nosepiece and manually screw it onto the removed nosecap. Mount the nosecap back onto the tool and tighten with wrench no. 19 (flats) and no. 11 (nosepiece)



Assembly of the nosepiece and nosecap

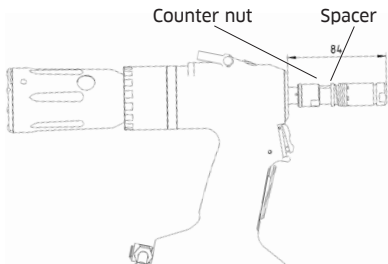


English

Setup of the X-dimension

To achieve a good grip of the jaws with the mandrel and just enough opening to allow a smooth and not scratching insertion of the mandrel in the tool, the correct setup of the x-dimension is relevant. The first setting is performed by the manufacturer to x=84mm (basic setting).

If it is necessary, adjust the x-dimension by counter nut and spacer by using wrenches no. 15 and 12. Maximum allowed X-dimension is 86 mm with default nosepiece and pulling head. Minimum X-dimension is limited by the thread on the piston. With higher size of X-dimension it is possible to reach wider jaw opening in case the rivet mandrel gets stuck in the jaws. On the other hand with lower X-dimension the jaws may grip the mandrel faster.

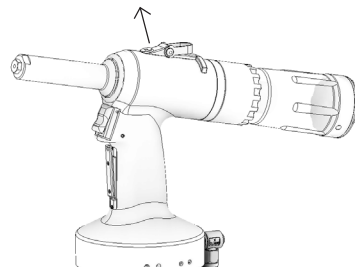


X-dimension, basic setup

This is advantageous in situation where the mandrel is short and the jaws grip it in the back. It is always necessary to check if the pulling head does not collide with the nosepiece to prevent any damage.

Oil refilling

- Oil needs to be refilled when the working stroke is reduced during working process
- During oil refilling, prevent dirt from entering the hydraulic system
- Disconnect the tool from the compressed air
- Remove the nosecap (see chapter jaws cleaning and replacement)
- Use allen key no. 4 to unscrew the screw in the top of the tool
- Fill up the syringe with the recommended hydraulic oil (chapter 19. Technical parameters), attach it to the brass adapter and screw the adapter on the outlet
- Press the hydraulic oil into the tool and pump the syringe piston several times. As you are pumping, you can see that the hydraulic piston is moving forward and backwards.
- Unscrew the adapter, mount the screw and USIT ring, mount the nosecap (see chapter jaws cleaning and replacement)
- Clean the tool from any spilled oil
- Activation of the tool without rivets -



Disassembly of the oil refill screw

20 times (Tool operation)

18. Troubleshooting

The operator must ensure the following:

- The maintenance staff can be notified immediately and at any time.
- The maintenance staff is qualified to properly respond to the failure of the riveting tool and the failure of related systems.
- The failures are analysed by qualified staff, any defects are repaired and the operation is optimised in a way that prevents any similar failures in the future.

19. Technical parameters

Total weight (according to the version)	1,99 kg
Dimensions (HxL)	331 x 336 mm
Blind rivet diameter	4 - 6,4 mm, max. Ø of mandrel 4mm
Tractive force	17,9 kN / 6 bars
Stroke	27 mm
Speed of rivet cycle	1 s
Air consumption for 1 rivet	5,8 l [ANR]
Air consumption - exhaustion	465.5 l/min [ANR] (78 l/min @6 bar)
Noise level	85,5 dB
Operating pressure	6 bars, max. pressure 7 bar
Compressed air connection	6 mm (G 1/4")
Hydraulic oil standard	ISO VG 32, HLP (DIN 51524-2)
Hydraulic oil example	OH-HM 32
Lubricant standard	ISO XCCHB-2
Lubricant example	LV2EP

20. Disposal of the riveting tool

Disposal of the tool in compliance with the directives valid for EU. Check for hydraulic oil inside the riveting tool. Remove it and dispose the oil in an environmentally friendly manner.

21. Warranty

Titgemeyer GmbH & Co. KG provides a 12- month warranty from the date of purchase. The warranty does not cover consumables (jaws, nosepieces, mandrels, etc.)

Titgemeyer GmbH & Co. KG warrants that all power tools have been carefully manufactured and that they will be free from defect in material and workmanship under normal use and service for a period of one (1) year. This warranty applies to the first time purchaser of the tool for original use only.

Exclusions: Normal wear and tear. Periodic maintenance, repair and replacement parts due to normal wear and tear are excluded from coverage. Abuse & misuse. Defect or damage that results from improper operation, storage, misuse or abuse, accident or neglect, such as physical damage are excluded from coverage. Unauthorized service or modification. Defects or damages resulting from service, testing adjustment, installation,

maintenance, alteration or modification in any way by anyone other than Titgemeyer GmbH & Co. KG, or its authorized service centres, are excluded from coverage.

Should this tool fail to meet the warranty, promptly return the tool to our Titgemeyer GmbH & Co. KG service center or factory authorized service centre location nearest you.

Titgemeyer GmbH & Co. KG will then replace, free of charge, any part or parts found by us to be defective due to faulty material or workmanship, and return the tool repaired. This represents our sole obligation under this warranty. In no event shall Titgemeyer GmbH & Co. KG be liable for any consequential or special damages arising out of the purchase or use of this tool.

22. Package contents

- 1 x riveting tool
- 1 x air supply connection
- 1 x Nosepiece No. 4
(Ø 4mm standard blind rivets)
- 1 x Nosepiece No. 3 (Ø 4,8mm/
5,0mm standard blind rivets)
- 1 x Nosepiece No. 2
(Ø 6mm standard blind rivets)
- 1 x Nosepiece No. 1
(Ø 6,4mm standard blind rivets)
- 1 x Allen key no. 4
- 1 x open single-end wrench SW11

- 1 x syringe
- 1 x adapter

23. List of safety pictograms



Use protective goggles



Use protective gloves



Use ear protection

DECLARATION OF CONFORMITY

Product Name: Riveting tool RL60-2

Catalogue Number: 99-0304:TTA

Type number: 99030402012021

The RL60-2 riveting tool works with the high-speed hydro-pneumatic principle. The tool is designed for precise setting of blind rivets. It is equipped with a vacuum system for holding the rivet in the nosepiece in any position. After riveting the mandrel will be collected in the mandrel collector.

The high-speed pneumatic-hydraulic tool is designed for setting one-sided blind rivets from 4,0 to 6,4 mm and 6,4 mm structural rivets.

Manufacturer:

Titgemeyer Tools & Automation spol. s r.o.

U Vodárny 1506

CZ 397 01 Písek

IČ 60647761


Tel: + 420 382 206 711

info@rivetec.cz

tta-sales@titgemeyer.com

We hereby declare that the products conform to the following standards and guidelines:

2006/42/ES, the Machinery Directive

Name	Date and place	Signature
Approved by Director Antonín Solfronk	In Písek 31.03.2021	

Titgemeyer Tools & Automation spol s.r.o.

U Vodárny 1506

39701 Písek

Tschechien

T + 420 382 206 711

E tta-sales@titgemeyer.com

W titgemeyer.com